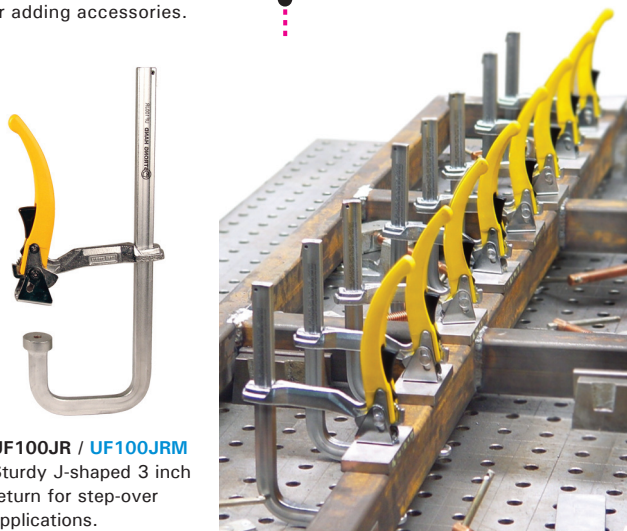
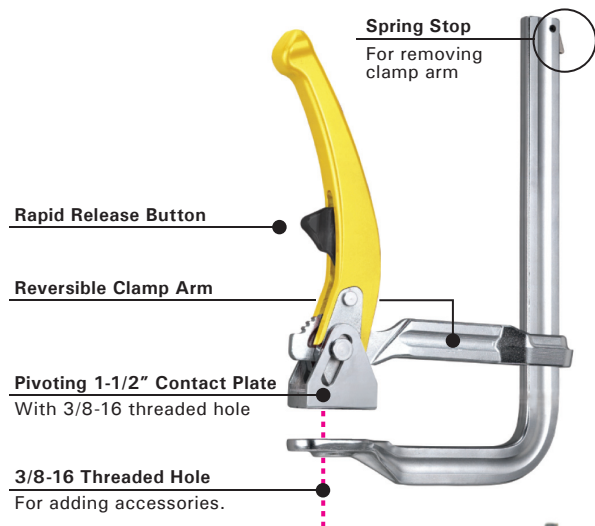


Ratchet Action & MagSpring™ Clamps

Quick-Set Clamps for fast, convenient clamping.

Ratchet Action Utility Clamps

Ratchet mechanism ensures rapid, vibration and torsion resistant clamping.



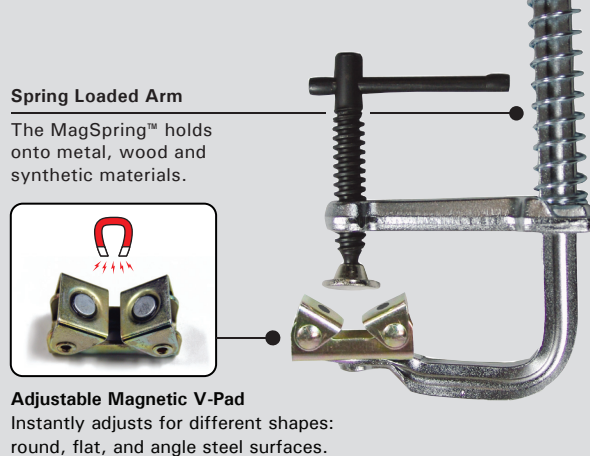
▲ **UF100JR / UF100JRM**
Sturdy J-shaped 3 inch return for step-over applications.

- Clamping Pressure: 1,000 - 1,200 lbs. (460 - 550 kg)
- Throat Depth: 4-3/4" (120 mm)
- Tapped Hole: 3/8-16 (M10)
- Pivoting Contact Plate with 3/8-16 threaded hole

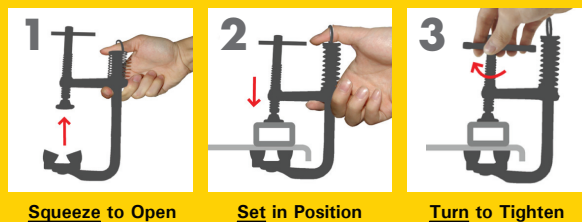
Part No.	Capacity	Clamping Pressure	Rail Size	Weight
UF65R UF65RM	7" 178 mm	1,000 lbs 450 kg	7/8" x 7/16" 22 mm x 11	2.6 lbs 1.2 kg
UF100R UF100RM	10" 254 mm	1,000 lbs 450 kg	7/8" x 7/16" 22 mm x 11	3.0 lbs 1.3 kg
UF100JR UF100JRM	7" 254 mm	1,000 lbs 450 kg	7/8" x 7/16" 22 mm x 11	3.1 lbs 1.4 kg
UG85R UG85RM	8-1/2" 216 mm	1,200 lbs 550 kg	1" X 15/32" 25 mm x 12	3.6 lbs 1.6 kg
UG125R UG125RM	12-1/2" 318 mm	1,200 lbs 550 kg	1" X 15/32" 25 mm x 12	4.0 lbs 1.8 kg
UG205R UG205RM	20-1/2" 521 mm	1,200 lbs 550 kg	1" X 15/32" 25 mm x 12	4.8 lbs 2.2 kg

MagSpring™ Clamps

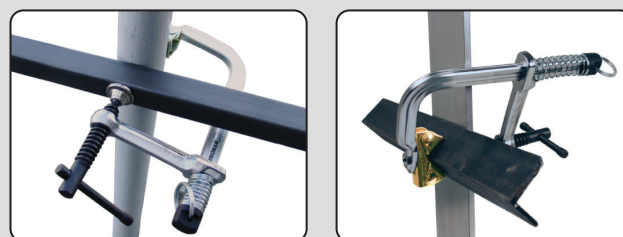
The spring-loaded, one-handed clamp with quick-set magnetic V-Pad.



Quick & Easy to Use!



- » The Spring Loaded Arm allows users to free up one hand to position the workpiece.
- » Once positioned, the Adjustable Magnetic Pad holds the clamp to the workpiece for tightening.



- Clamping Pressure: 300 - 500 lbs. (140 - 230 kg)
- Throat Depth: 2-1/2" - 3-1/4" (64 - 83 mm)
- Tapped Hole: 1/4-20 (M8)

Part No.	Capacity	Throat Depth	Clamping Pressure	Weight
UBV45 UBV45M	3-1/2" 90 mm	2-1/2" 64 mm	300 lbs 140 kg	0.8 lbs 0.4 kg
UBV65 UBV65M	5-1/2" 140 mm	2-1/2" 64 mm	300 lbs 140 kg	0.9 lbs 0.4 kg
UDV45 UDV45M	3-1/2" 90 mm	3-1/4" 83 mm	500 lbs 230 kg	1.0 lbs 0.5 kg
UDV65 UDV65M	5-1/2" 140 mm	3-1/4" 83 mm	500 lbs 230 kg	1.1 lbs 0.5 kg