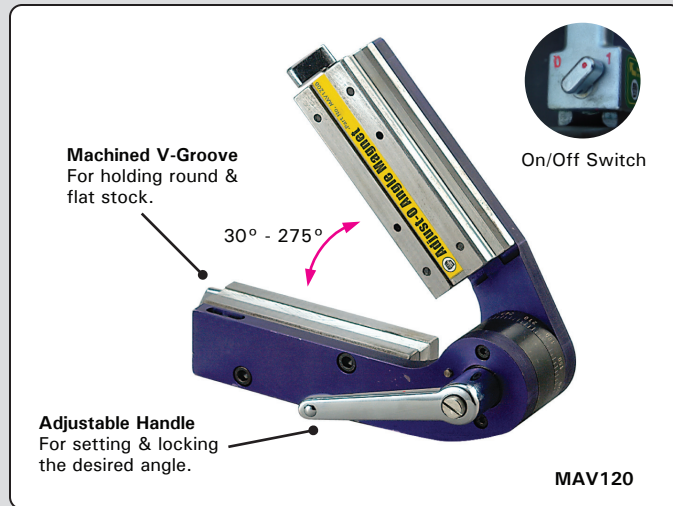


Adjust-O™ Angle Magnets & Other Magnets

Multi-angle magnets with the convenience of On/Off switches.

Adjust-O™ Angle Magnet

- » Adjustable from 30° - 275° with two On/Off switches.
- » Precision machined flat surfaces and nickel/chrome body.
- » V-Groove surfaces securely hold round and square tubing, angle, and flat stock.

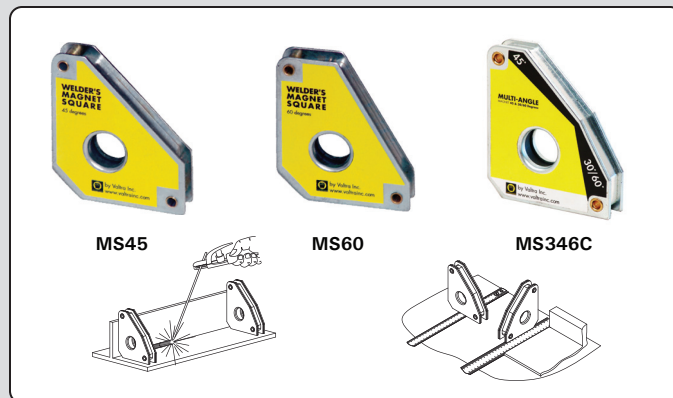


Part No.	Angles	Dimension	Pull Force	Weight
MAV120	30° - 275°	7-3/4" x 7-3/4" x 3-3/4" 197 mm x 197 x 95	110 lbs 50 kg	5.3 lbs 2.4 kg

* Magnetic pull force is based on 3/8 steel plates.

Standard Magnet Squares

- » Accurate 30°, 45°, 60°, 90° angles.
- » Center hole for easy handling.



Part No.	Angles	Dimension	Pull Force	Weight
MS45	45° x 90°	4-3/8" x 3-3/4" x 3/4" 111 mm x 95 x 19	65 lbs 30 kg	1.0 lbs 0.5 kg
MS60	60° x 90°	4-3/8" x 3-3/4" x 3/4" 111 mm x 95 x 19	55 lbs 25 kg	1.0 lbs 0.5 kg
MS346C	30°, 60° 45°, 90°	5-1/2" x 4-3/8" x 3/4" 140 mm x 29 x 19	85 lbs 40 kg	1.0 lbs 0.5 kg

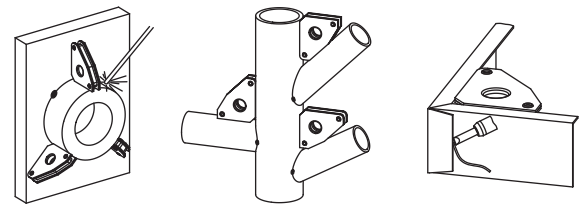
* Magnetic pull force is based on 3/8 steel plates.

Mini Magnets

Holding at multiple angles while soldering, brazing, and welding at 30°, 45°, 60°, and 90°. The compact size of the Mini Magnets makes it easy to pack, store, and carry for use anywhere!

Original Mini Magnets

- » Accurate 30°, 45°, 60°, 90° angles.
- » Center hole for easy handling.

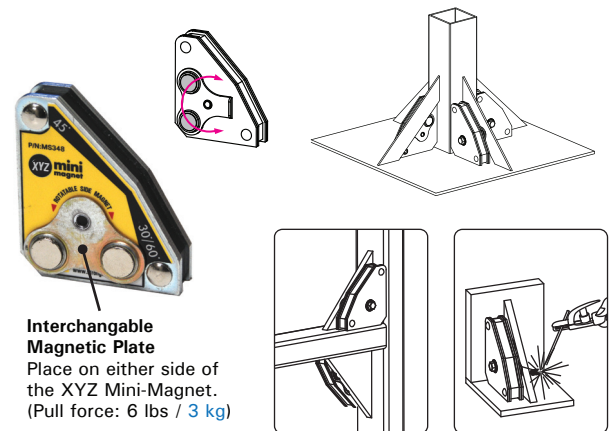


Part No.	Description	Dimension	Pull Force	Weight
MS346AT	Twin Pack	2-5/16" x 2" x 5/8" 59 mm x 51 x 16	25 lbs 10 kg	0.6 lbs 0.3 kg
MS346AK	6-Pack	2-5/16" x 2" x 5/8" 59 mm x 51 x 16	25 lbs 10 kg	1.7 lbs 0.8 kg

* Magnetic pull force is based on 3/8 steel plates.

NEW XYZ Mini-Magnets

- » Quickly and easily set-up 2 or 3-Axis workpieces.
- » Re-position, *while* holding. Tap or slide workpieces to fix positioning, *without* removing the XYZ Mini Magnet!
- » New Magnetic Face Plate features two rare earth disc magnets for 3rd axis holding. Turn the Magnetic Face Plate with your finger to desired position. Quickly snap together 2 or 3 axis set-ups for tack welding.



Part No.	Description	Dimension	Pull Force	Weight
MST348	Twin Pack	2-5/16" x 2" x 7/8" 59 mm x 51 x 22	25 lbs 10 kg	0.6 lbs 0.3 kg

* Magnetic pull force is based on 3/8 steel plates.