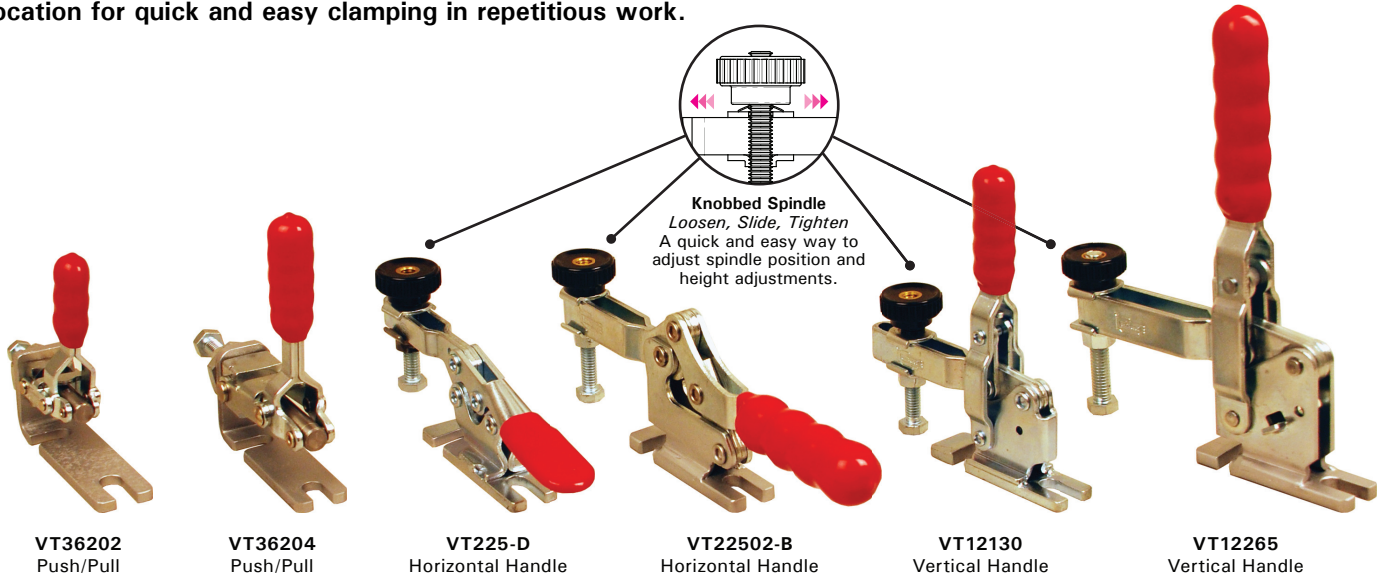


# New! Twin Slot Base Toggle Clamps

Stackable Magnetic Riser Blocks & Shims available

The ease and speed of a Toggle Clamp combined with the new, unique Quick-Mount Slotted Base, and Knobbed Spindle. These Toggle Clamps are ideal for holding a workpiece in a positive location for quick and easy clamping in repetitious work.



**VT36202**  
Push/Pull

**VT36204**  
Push/Pull

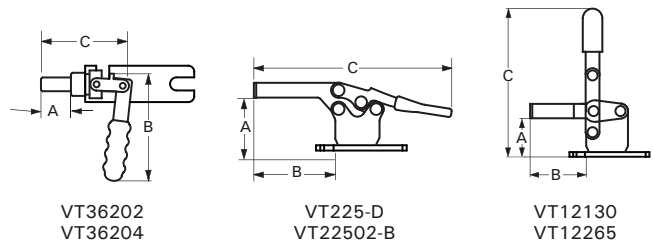
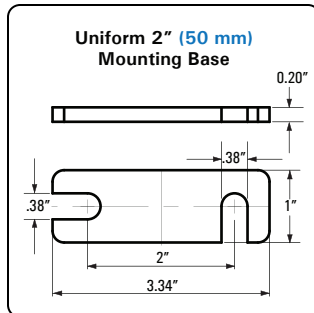
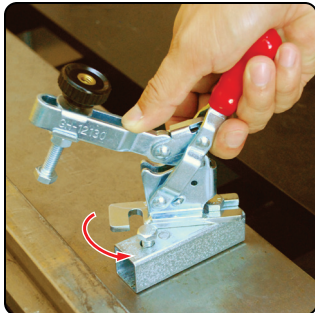
**VT225-D**  
Horizontal Handle

**VT22502-B**  
Horizontal Handle

**VT12130**  
Vertical Handle

**VT12265**  
Vertical Handle

## Quick-Mounting!



Part No.	Description	Capacity	A	B	C	Plunger Stroke	Weight
VT36202	Push/Pull	200 lbs	0.81	3.0	2.5	0.75	0.5 lb
VT36204	Push/Pull	300 lbs	1.56	3.9	4.5	1.50	0.8 lb
VT225-D	Horizontal	500 lbs	1.37	2.75	6.61	-	0.6 lb
VT22502-B	Horizontal	550 lbs	1.34	3.11	8.62	-	1.0 lb
VT12130	Vertical	500 lbs	1.25	2.81	5.50	-	0.8 lb
VT12265	Vertical	750 lbs	1.75	3.58	7.50	-	1.4 lbs

UNIT: inches

## Stackable Magnetic Riser Blocks & Shims Kit

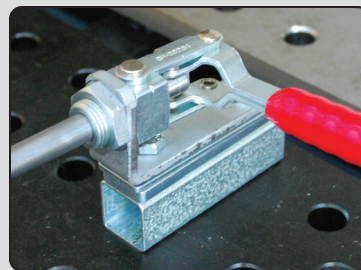
For taller workpieces, use the Magnetic Riser Blocks and Shims Kit to mount the Slotted Base Toggle Clamps at the desired height. The Magnetic Riser Blocks feature twin holes for use in either vertical or horizontal position. Use the Shims for *incremental* height adjustments.

The 6 pc. kit comes complete with:



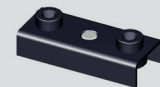
- 2 Magnetic Riser Blocks**
- 1 25 x 25 x 85 mm (1" x 1" x 3.34")
- 1 25 x 50 x 85 mm (1" x 2" x 3.34")

- 4 Shims**
- 2 25 x 3 x 85 mm (1" x 0.12" x 3.34")
- 2 25 x 5 x 85 mm (1" x 0.20" x 3.34")



Riser Blocks and Shims use in conjunction with the VT36202 Toggle Clamp.

## Optional Threaded Adaptors



Part No. TXT5203  
Weight: 0.25 lb.

Convert work surface holes to 5-16/18. Magnetized Threaded Adaptor Plate mounts underneath your work surface, and provides two 5/16-18 threaded holes.

Part No.	Description	Weight
VTX6400	6 pc. Magnetic Riser Blocks & Shims Kit	0.77 lb